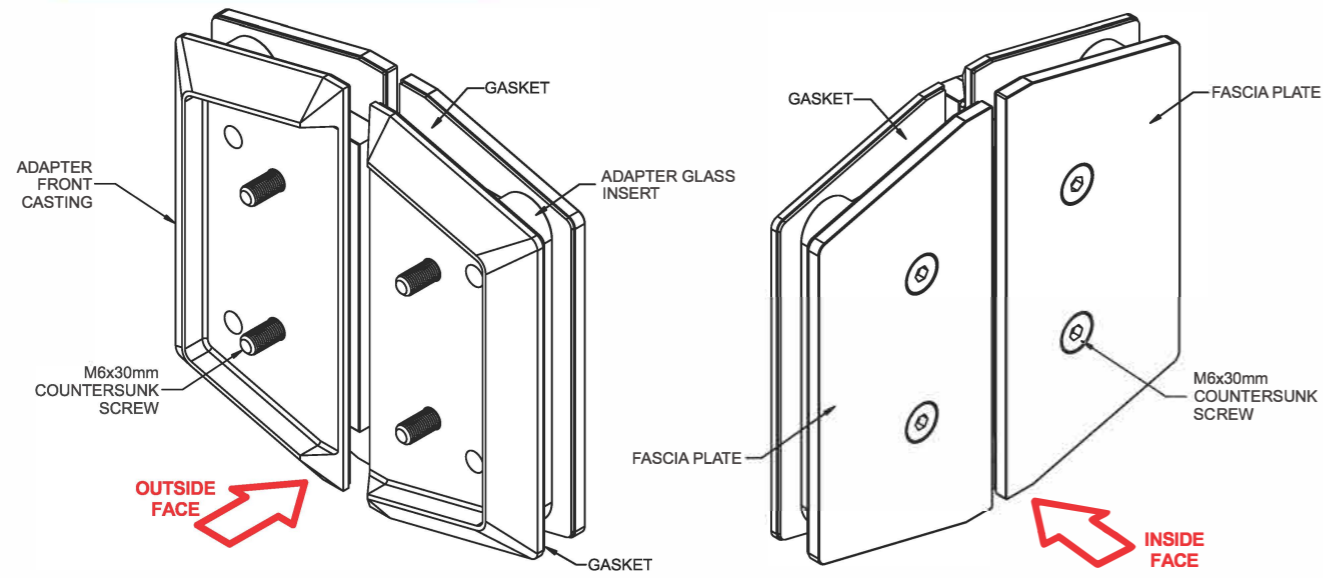
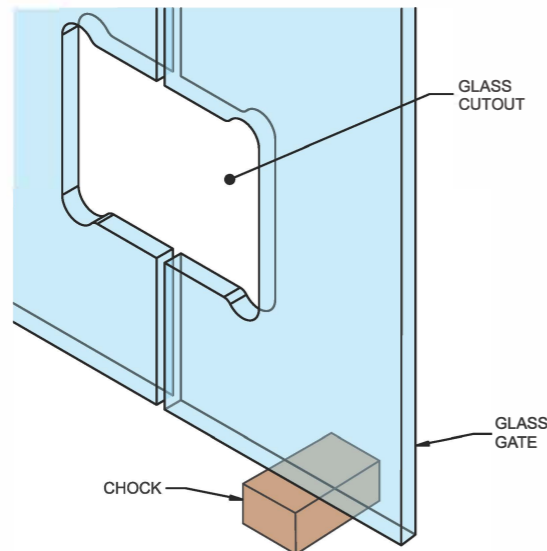


**HOW TO FIT POLARIS 130 ADAPTER KIT
(USED WITH 155 HINGES)**

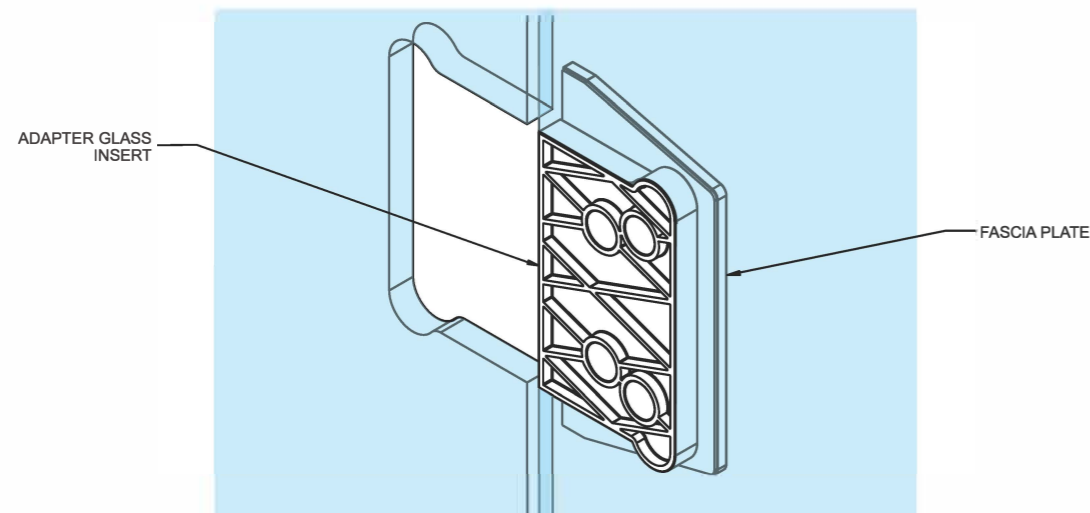
10-12mm FRAMELESS GLASS



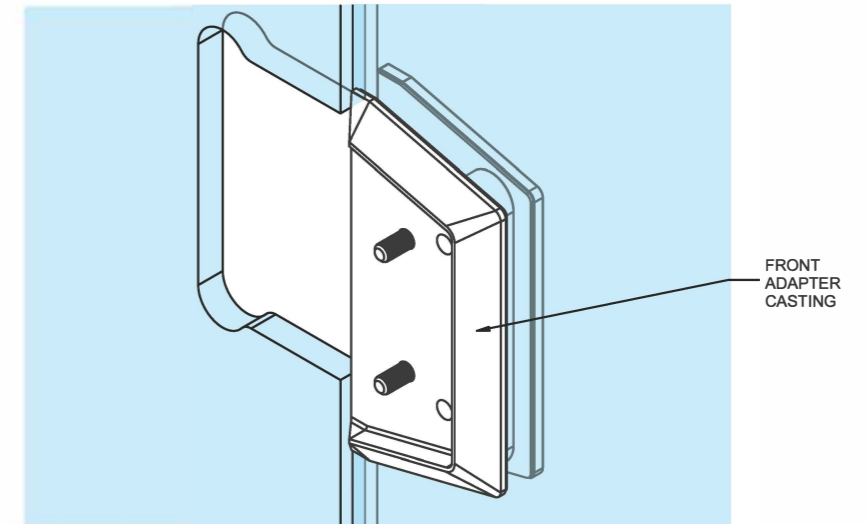
1. Unpack the Adapter kit from its packaging and select the adapter glass inserts you require for the glass (Bestko or Biloba) The 155 hinges required for this kit should also be unpacked
2. Support the glass gate with chocks underneath before removing the old **BOTTOM** hinge



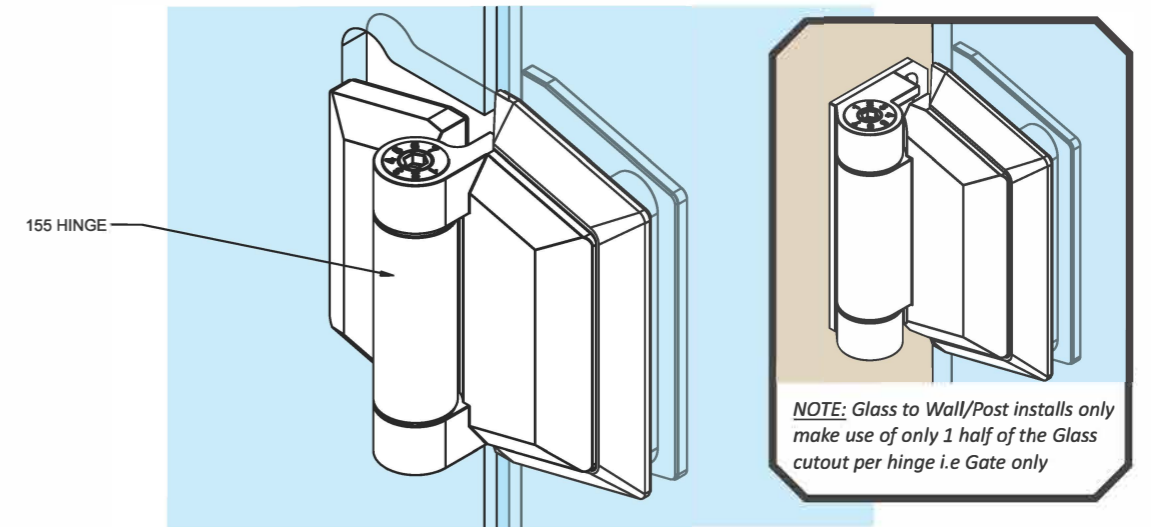
3. Place your selected Adapter glass insert into the glass cutout with the Fascia plate behind and Adapter front casting in front



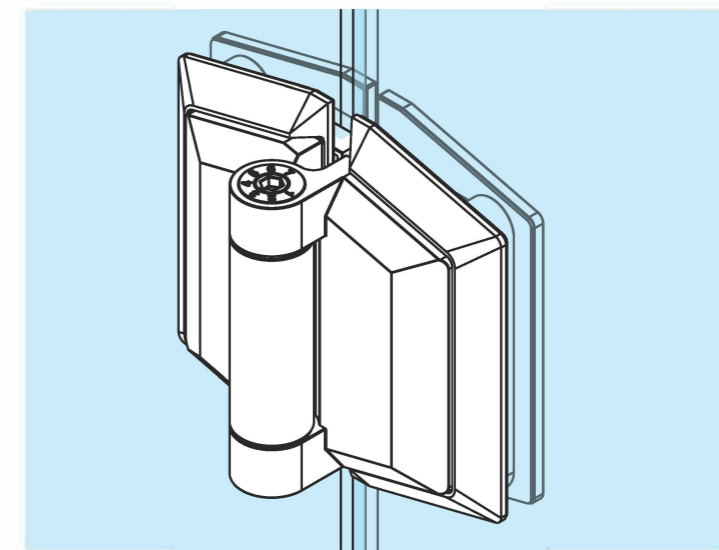
4. Place the Front adapter casting on the front glass face. Insert 2x screws (provided) through the Fascia plate, Adapter glass insert and Front adapter casting.



5. Insert the 155 hinge into the Front adapter castings recess for the screws to align, and tight those screws.



6. Carefully slip the other Adapter front casting between the hinge and the glass cutout on the other side for Glass to Glass. (TIP: release the spring tension on the hinge to make it easier to move) Then insert the adapter glass insert into the glass cutout from behind. You can now attach the fascia plate and fix in the screws.



7. The old **TOP** hinge can be removed. Repeat the steps 3-6 on the Top hinge glass cutout.
8. Do a final tighten of the screws before removing the chock under the gate. Refer to the instructions of the 155 Hinges to insure it is installed and adjusted correctly.