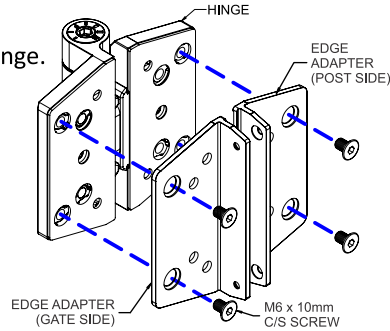




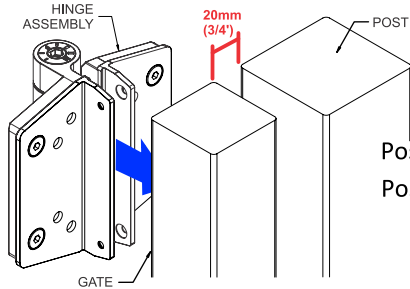
HOW TO FIT EDGE ADAPTERS (FLAT ADAPTER VERSION)

These adapters are intended for mounting a pair of Polaris Hinges to a fence and gate. The Gate is typically 50mm wide X 50mm deep (1 in x 1 in) & the Post at least 50mm wide X 50mm deep (1 in x 1 in).

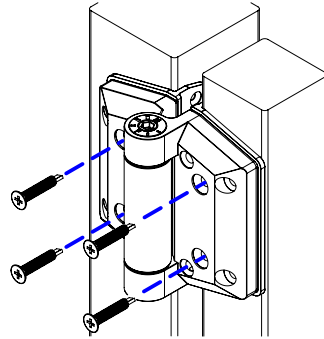
1. First step will be to fasten the adapters to the hinge. Use the provided Stainless M6x10mm screws to create a Hinge assembly



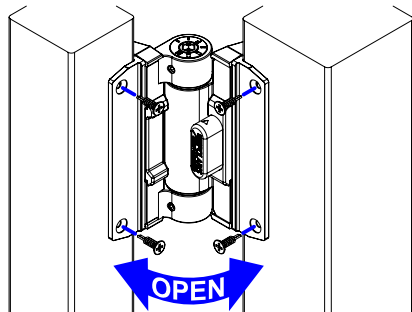
2. Position the hinge assembly onto the Gate and Post which makes a gap of 20mm (3/4in)



3. Securely fasten the hinge as per its Install instructions (Screws provided with the hinge)



4. To finish the installation, open the gate and install the small screws, as provided (8x16mm C/S), through the edge adapters holes.



DIMENSIONS TEMPLATE

