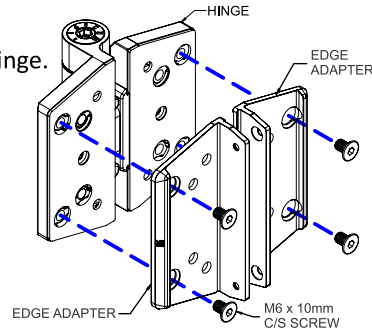




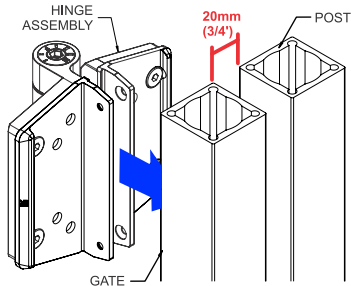
HOW TO FIT EDGE ADAPTERS (40mm ADAPTER VERSION)

These adapters are intended for mounting a pair of Polaris Hinges to a fence and gate. The Gate and Post are typically 40mm wide X 40mm deep (1 5/8 in x 1 5/8 in)

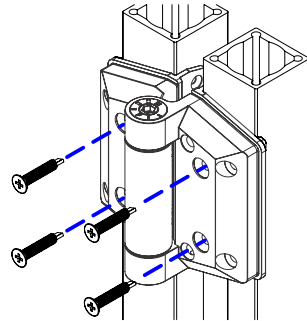
1. First step will be to fasten the adapters to the hinge. Use the provided Stainless M6x10mm screws to create a Hinge assembly



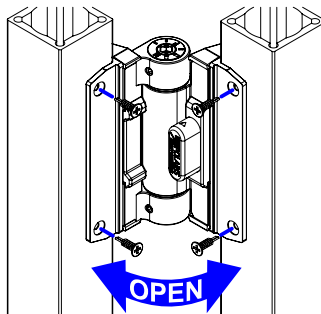
2. Position the hinge assembly onto the Gate and Post which makes a gap of 20mm (3/4in)



3. Securely fasten the hinge as per its Install instructions (Screws provided with the hinge)



4. To finish the installation, open the gate and install the small screws, as provided (8Gx16mm C/S), through the edge adapters holes.



DIMENSIONS TEMPLATE

