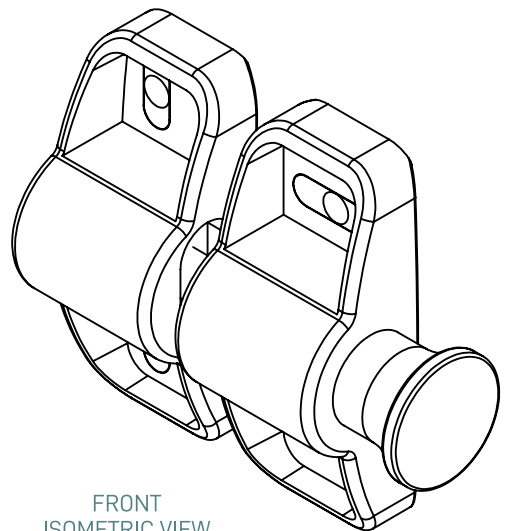
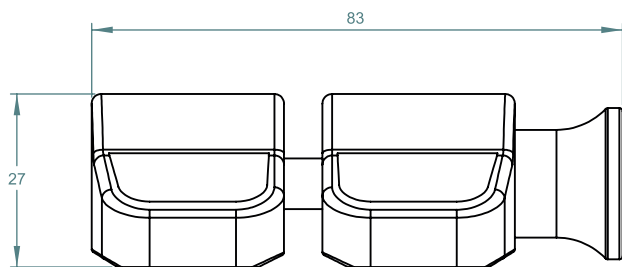
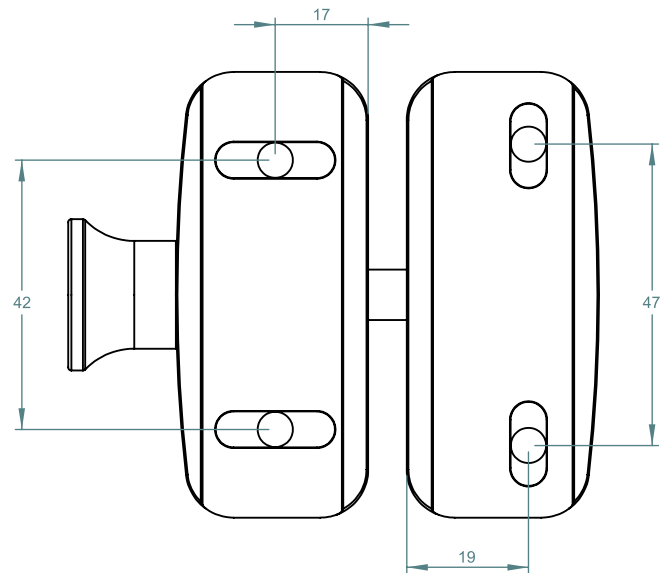
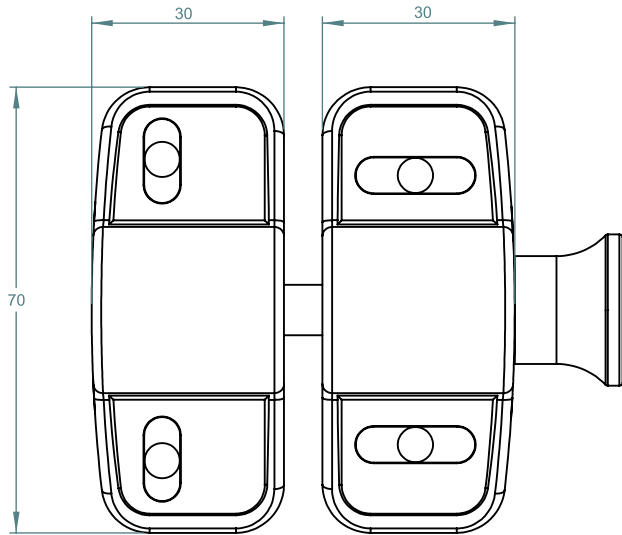


SIDE PULL LATCHES

POLYMER SIDE PULL LATCH



FRONT
ISOMETRIC VIEW